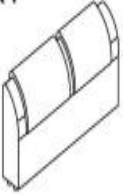

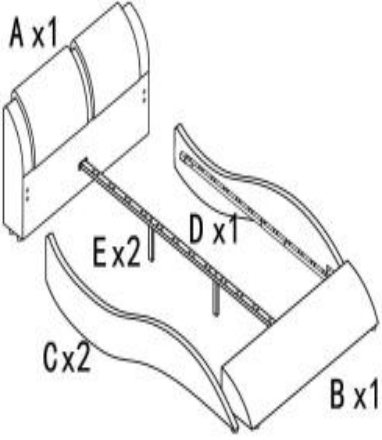
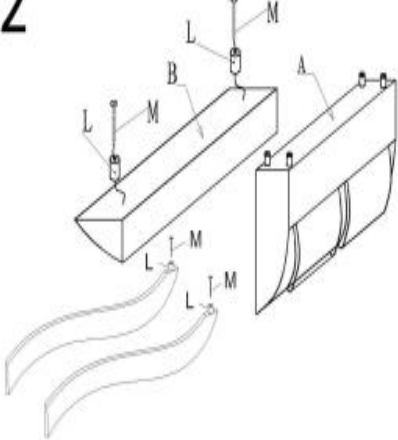


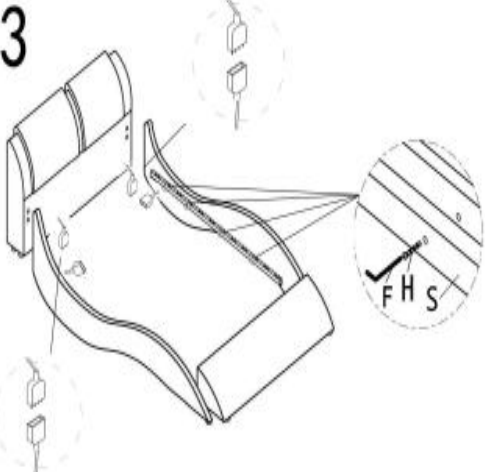
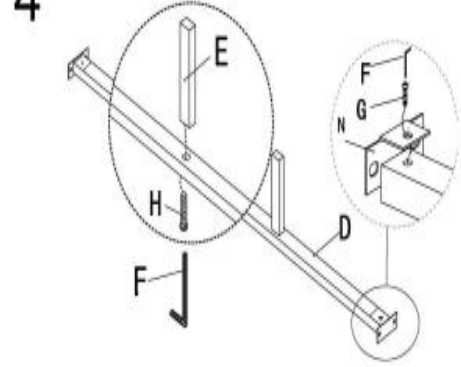


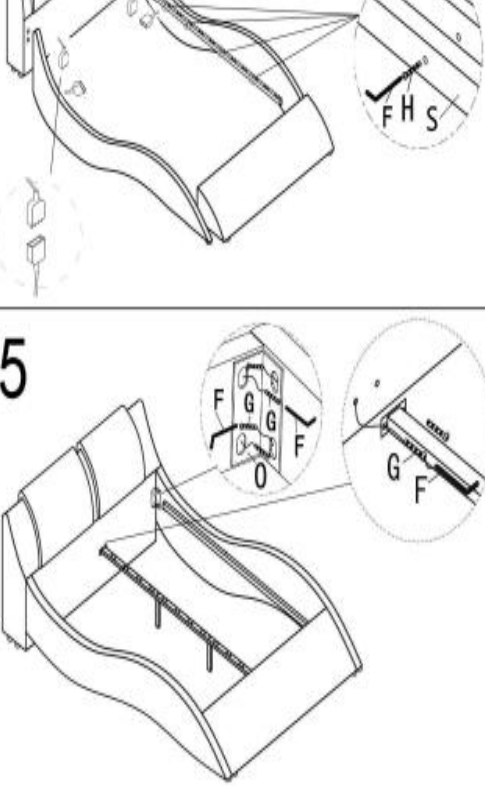
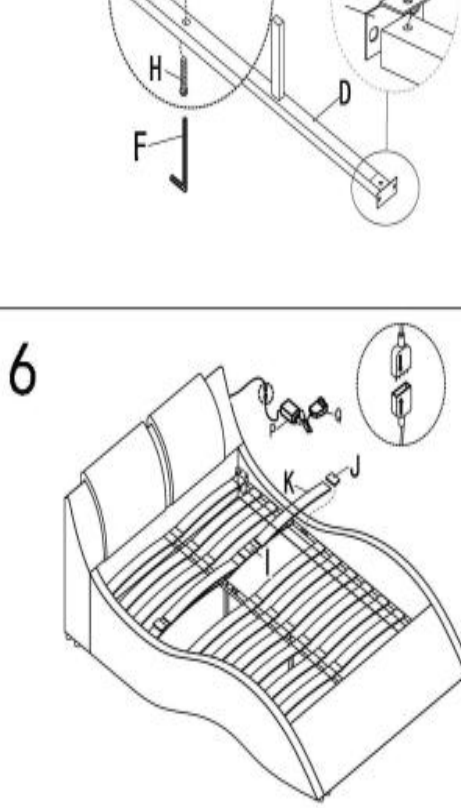


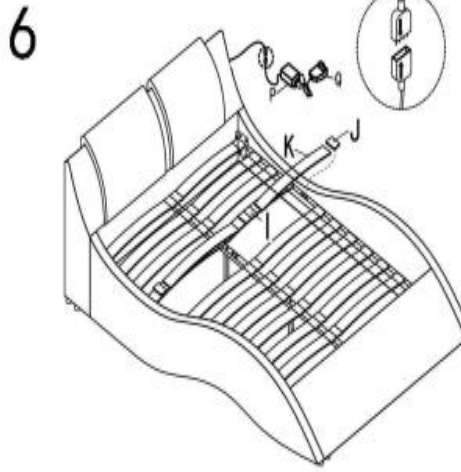
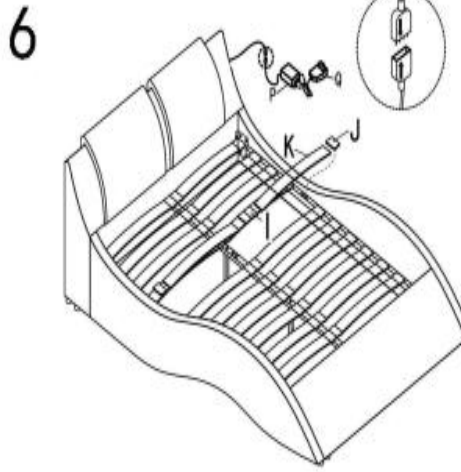


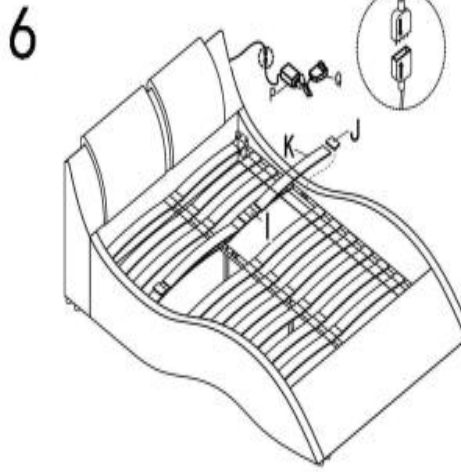
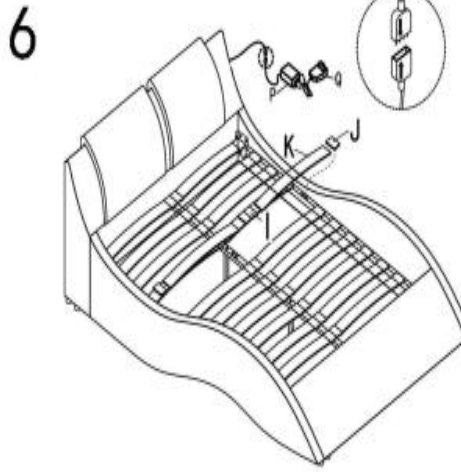



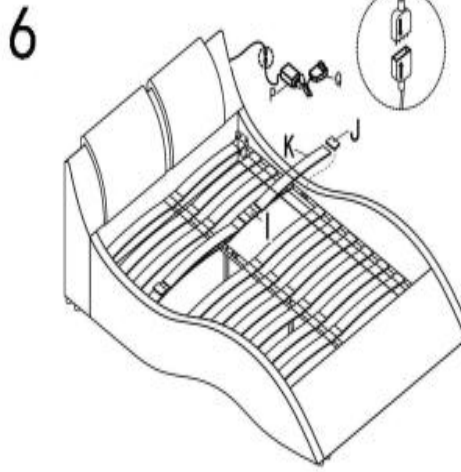



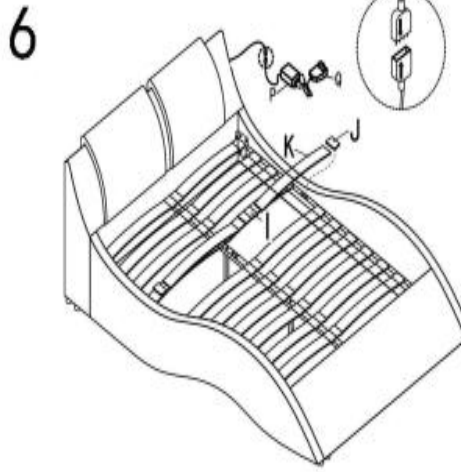





PASCALE

<p>A x1</p> 	<p>B x1</p> 	<p>1</p> 	<p>2</p> 
<p>C x2</p> 	<p>D x1</p> 	<p>3</p> 	<p>4</p> 
<p>E x2</p> 	<p>F x1</p> 	<p>5</p> 	<p>6</p> 
<p>G x 22 (8*20)</p> 	<p>H x10 (8*50)</p> 	<p>6</p> 	<p>6</p> 
<p>I x12</p> 	<p>J x24</p> 	<p>6</p> 	<p>6</p> 
<p>K x24</p> 	<p>L x8</p> 	<p>M x8 (5*50)</p> 	<p>6</p> 
<p>N x2</p> 	<p>O x4</p> 	<p>P x1</p> 	<p>6</p> 
<p>Q x1</p> 	<p>R x1</p> 	<p>S x2</p> 	<p>6</p> 